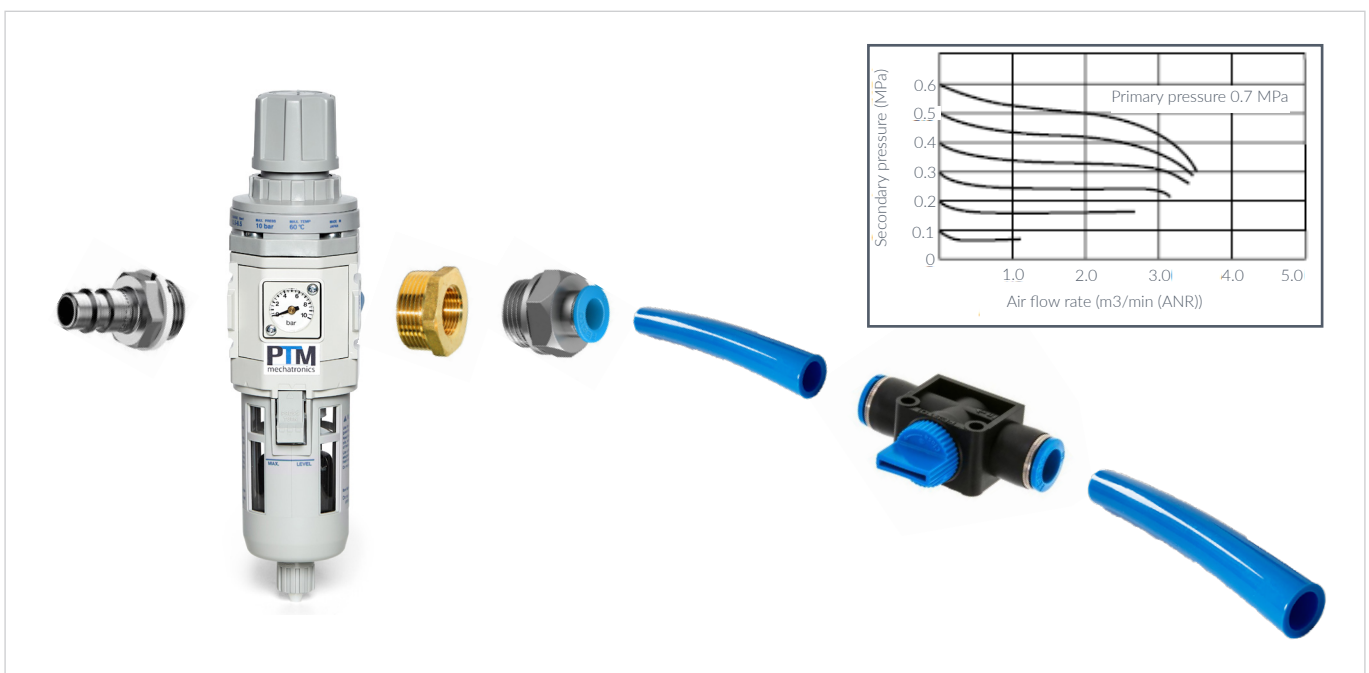


Compressed air supply accessories

CONNECTION AND HOSE SET WITH MAINTENANCE UNIT AND SHUT-OFF VALVE



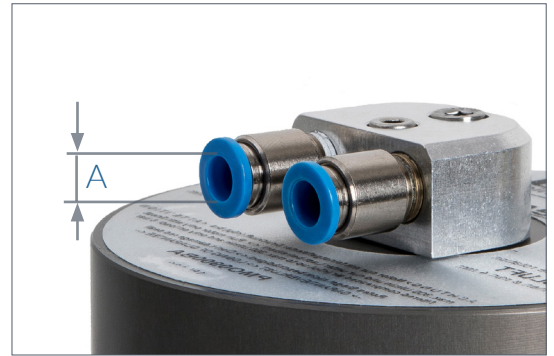
Product	Art. no.	Maintenance unit	Technical data
Connection and hose set motor 0450/0900	5150	Manometer	0-10 bar
		Micro filter	5µm
		Condensate tank	45 cm ³ with automatic condensate outlet
		Flow rate	3000 l/min
		Max. work pressure	1.0 (10 bar)
		Pressure relief	With relief mechanism
Connection and hose set motor 1800/3600	5151	Connection size	3/8

WE GENERATE MOVEMENT IN SPECIAL ENVIRONMENTS.

AIR CONNECTION 90°

Drive type*	A	Art. no.
0450 / 0900	6 mm	1838
1800 / 3600	8 mm	1841

*For details on the drive types, please see the motor data sheet.



ORIFICE

Speed limitation to protect against overload.

Drive type*	Art. no.
0450 / 0900	1840
1800 / 3600	1843

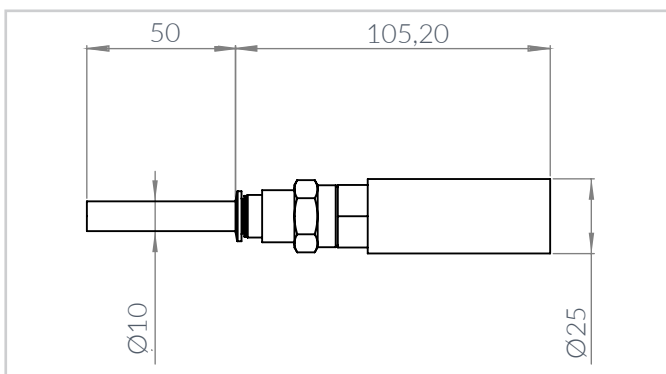
*For details on the drive types, please see the motor data sheet.



SILENCER 40dB

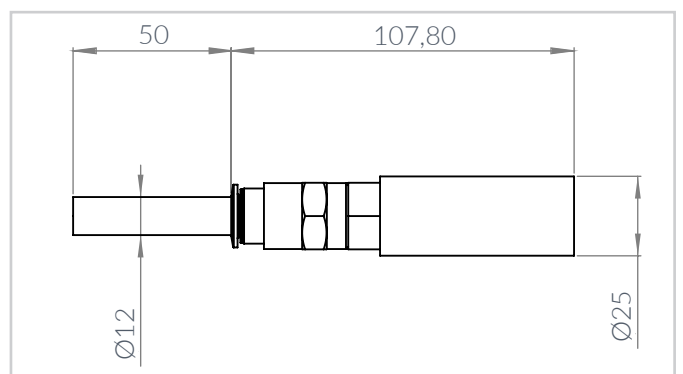


Drive type* 0450 / 0900	
Art. no.	5908
Pneumatic hose	Ø10, 50mm PU, blue
Push-in fitting	3/8 on hose 10



*For details on the drive types, please see the motor data sheet.

Drive type* 1800 / 3600	
Art. no.	5909
Pneumatic hose	Ø12, 50mm PU, blue
Push-in fitting	3/8 on hose 12



WE GENERATE MOVEMENT IN SPECIAL ENVIRONMENTS.